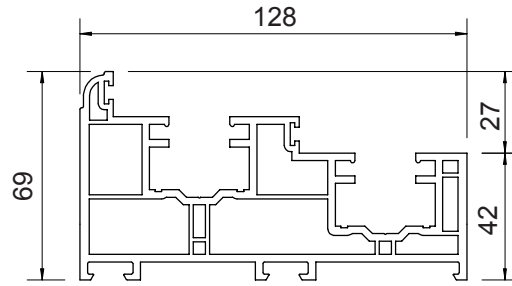
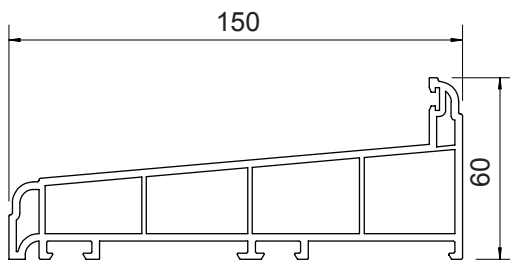


OUTER FRAME

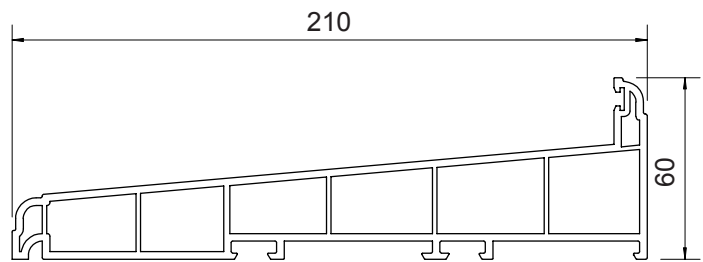


VS01 Outer Frame

CILLS

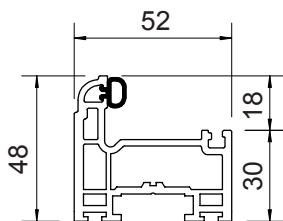


VS02 Cill

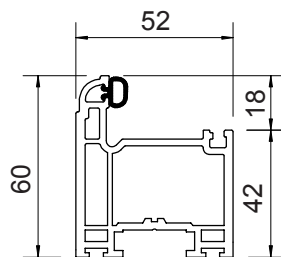


VS14 Extended Cill

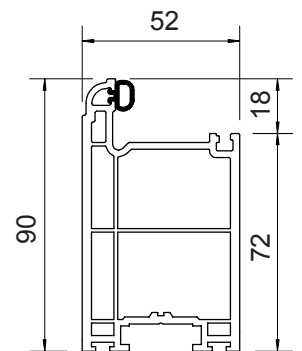
SASHES



VS03 Small Sash

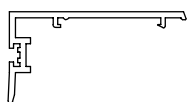


VS04 Standard Sash

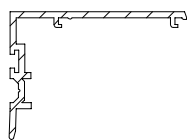


VS05 Deep Bottom Rail

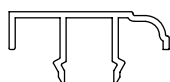
INTERLOCKS & STOP



VS09 Interlock

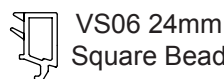


VSR9
Aluminium Interlock



VS10 Sash Stop

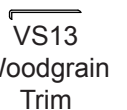
BEADS & ANCILLARIES



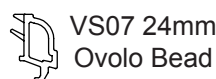
VS06 24mm
Square Bead



VS11 Small
Georgian Bar



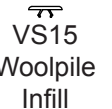
VS13
Woodgrain
Trim



VS07 24mm
Ovolo Bead



VS12 Large
Georgian Bar



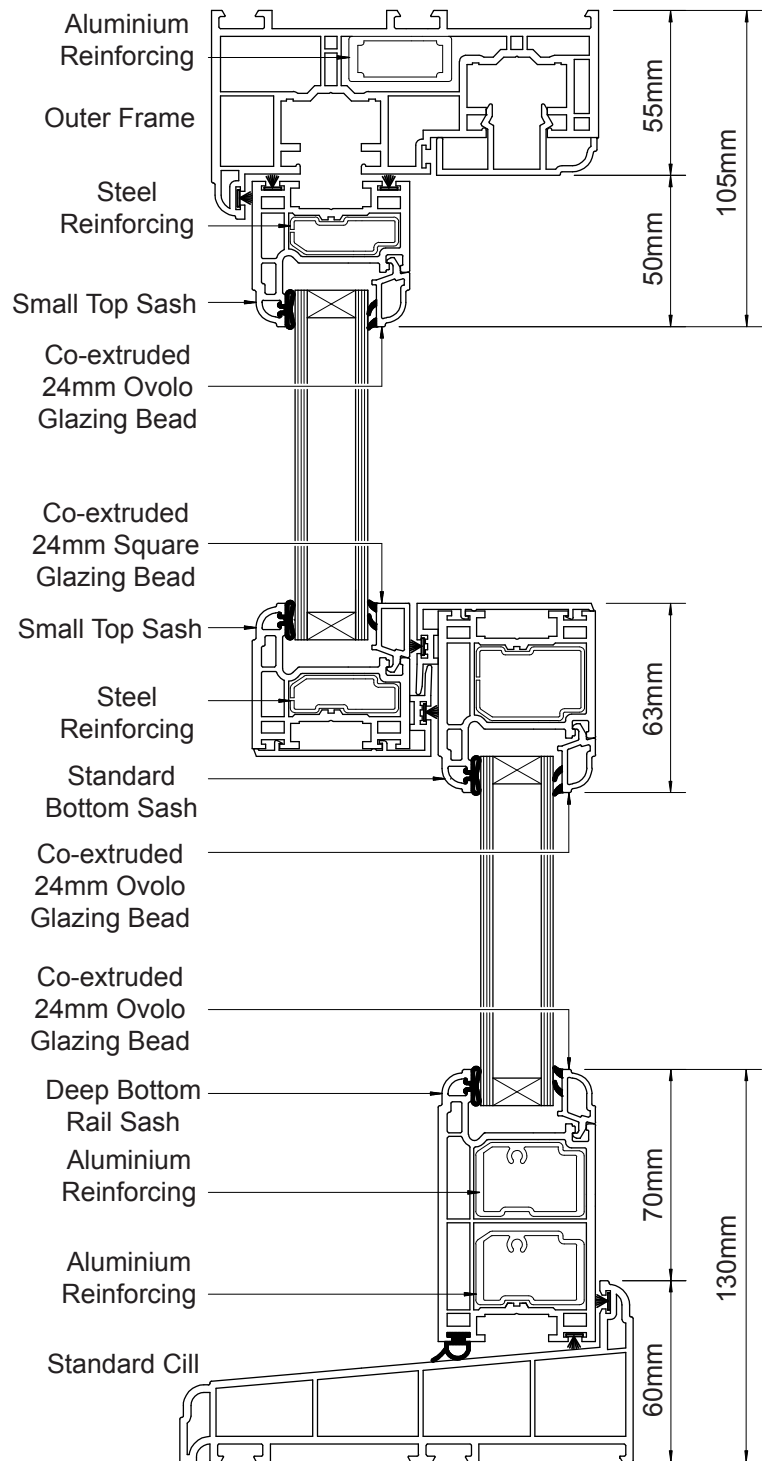
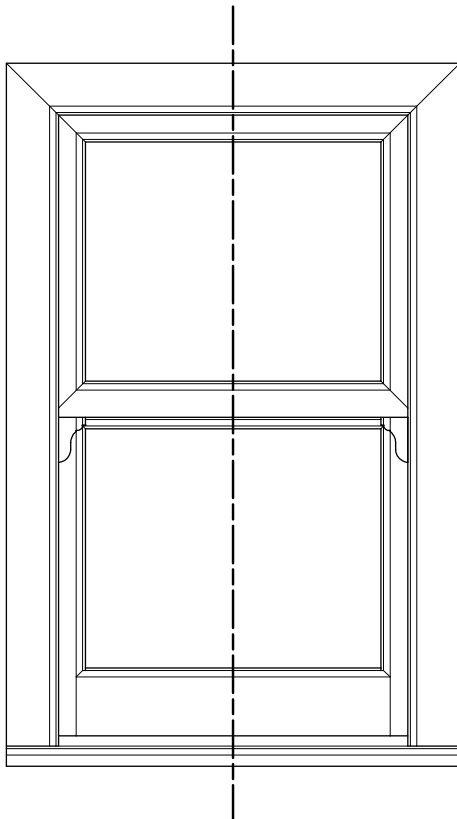
VS15
Woolpile
Infill

STANDARD CONFIGURATION (VERTICAL SECTION)

TYPICAL VERTICAL SLIDING WINDOW

SPECIFICATION

Small Top Sash
Standard Bottom Sash
Deep Bottom Rail Sash
Co-extruded 24mm Glazing Bead
Standard Cill
Steel/Aluminium Reinforcing

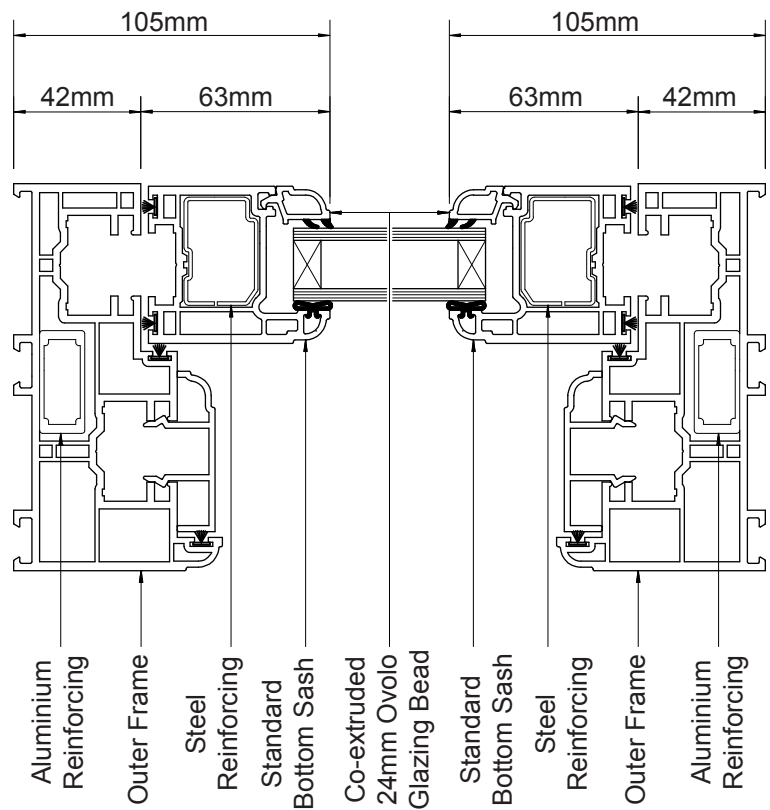
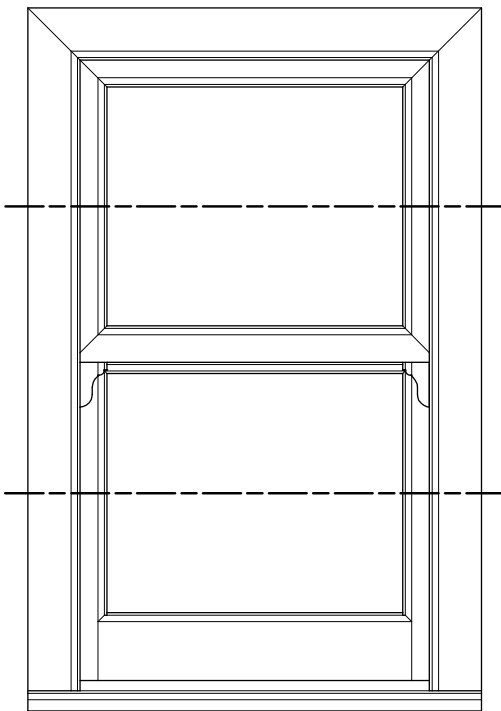
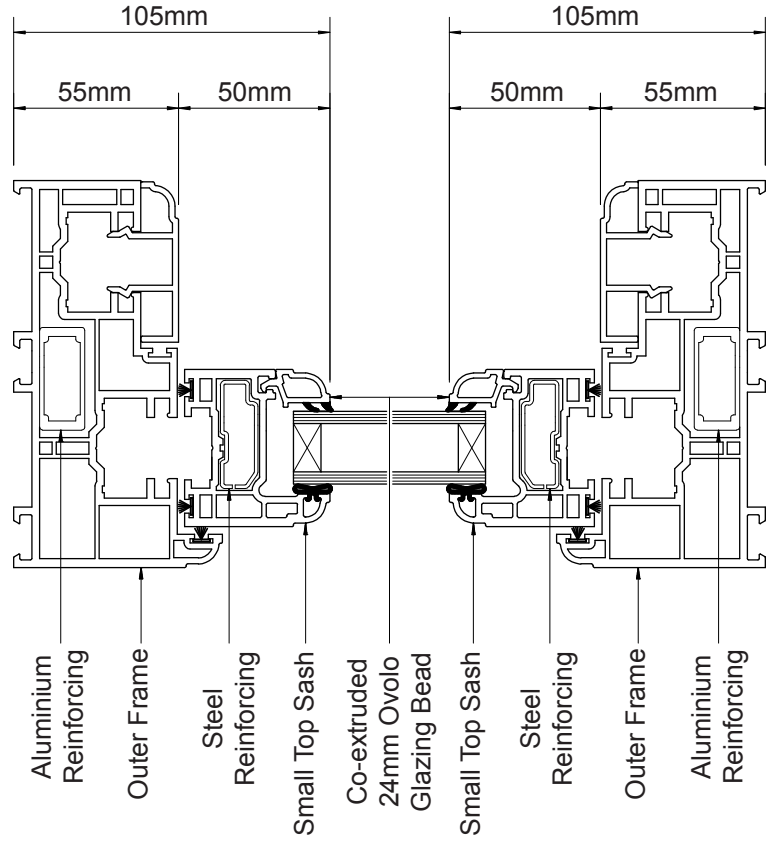


STANDARD CONFIGURATION (HORIZONTAL SECTION)

TYPICAL VERTICAL SLIDING WINDOW

SPECIFICATION

Small Top Sash
Standard Bottom Sash
Co-extruded 24mm Glazing Bead
Steel/Aluminium Reinforcing

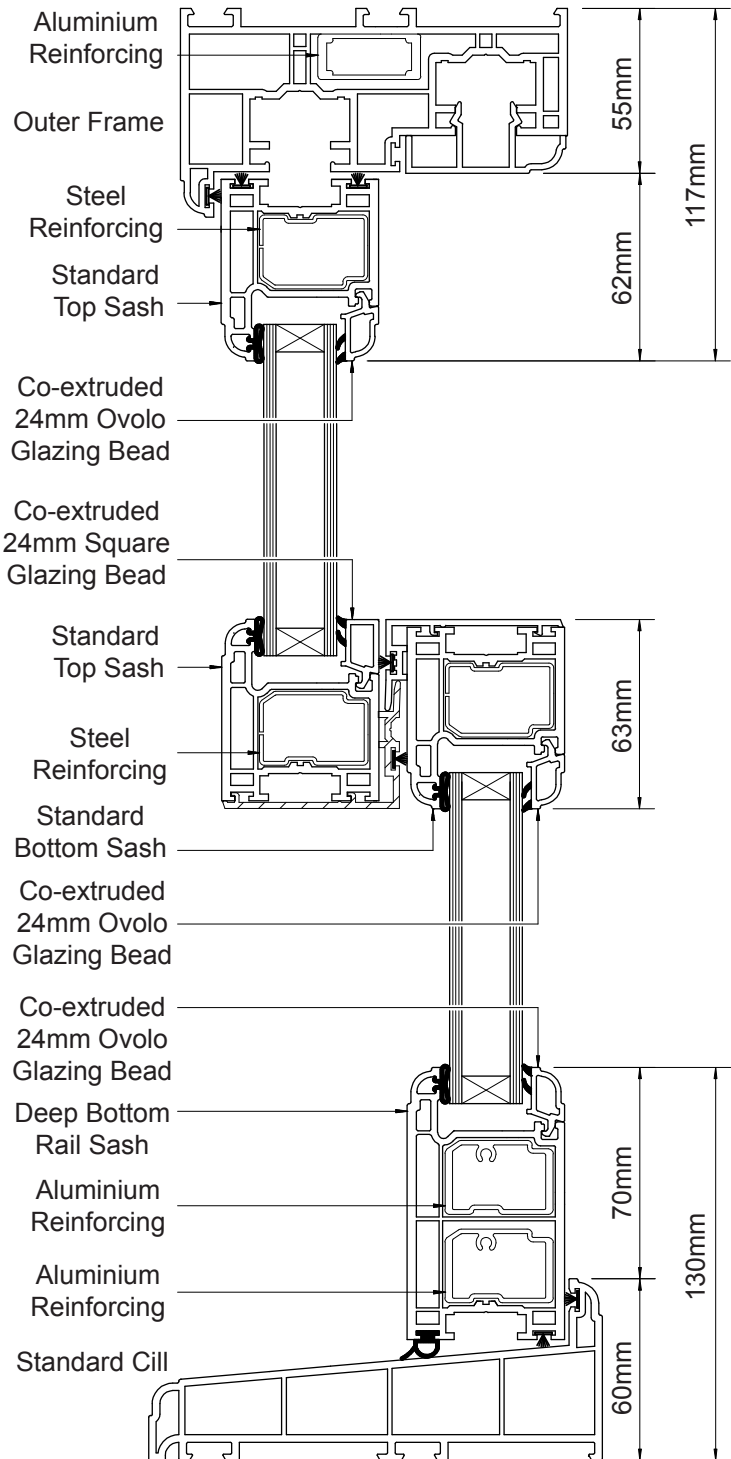
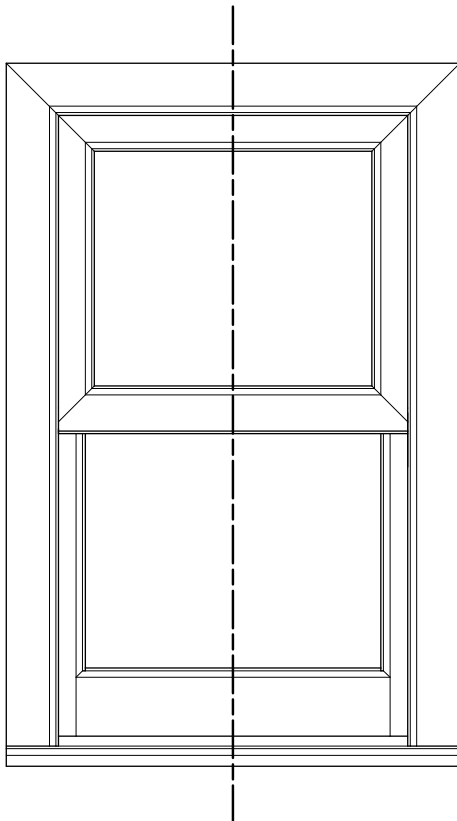


HEAVY DUTY CONFIGURATION (VERTICAL SECTION)

TYPICAL VERTICAL SLIDING WINDOW

SPECIFICATION

Standard Top Sash
Standard Bottom Sash
Deep Bottom Rail Sash
Co-extruded 24mm Glazing Bead
Standard Cill
Steel/Aluminium Reinforcing



HEAVY DUTY CONFIGURATION (HORIZONTAL SECTION)

TYPICAL VERTICAL SLIDING WINDOW

SPECIFICATION

Standard Top Sash
Standard Bottom Sash
Co-extruded 24mm Glazing Bead
Steel/Aluminium Reinforcing

