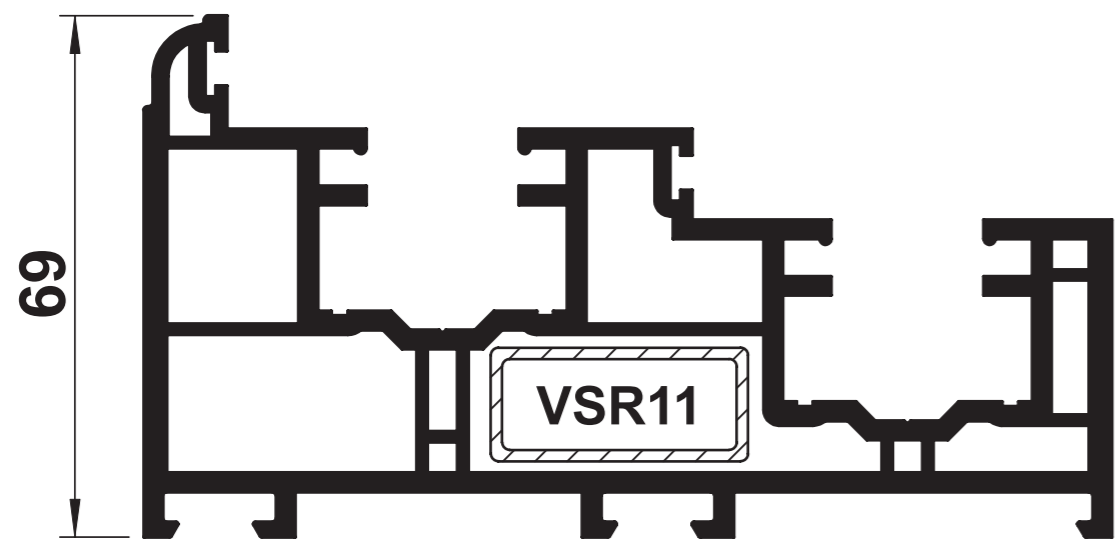
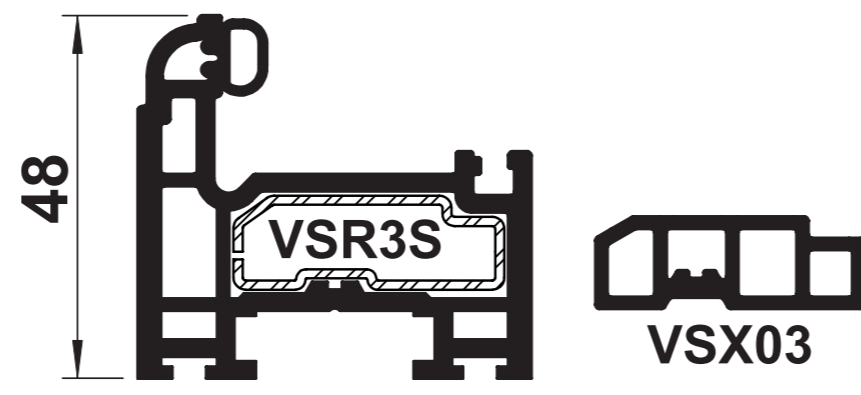


# Vertical Slider

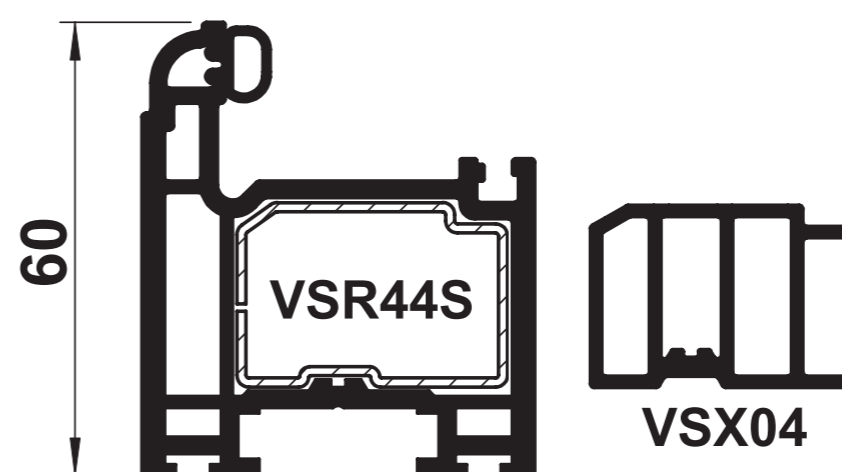
MAIN PROFILES & REINFORCEMENTS



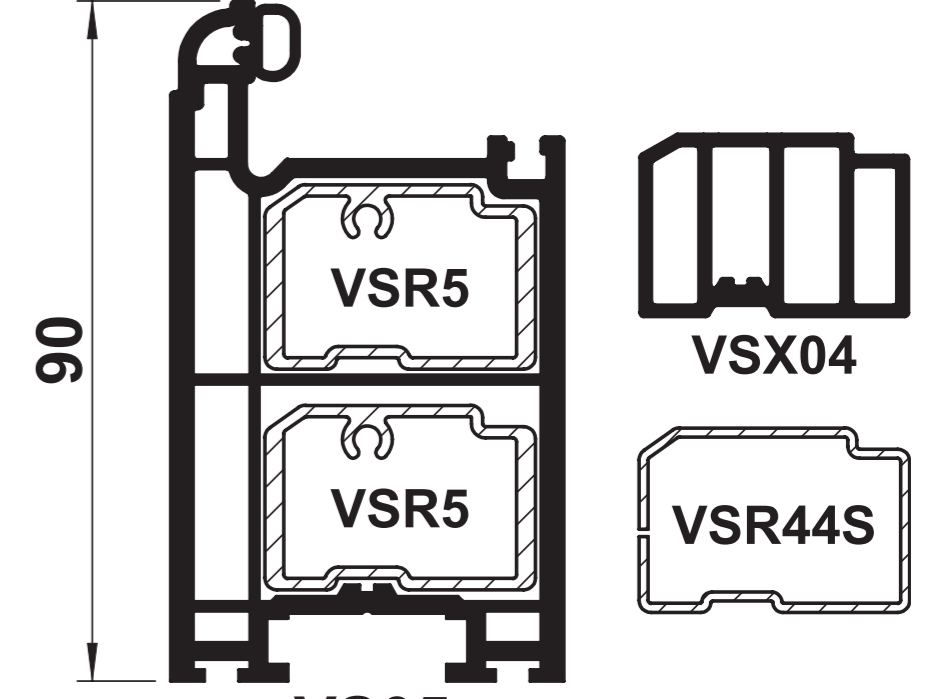
**VS01**  
OUTER FRAME (128mm)



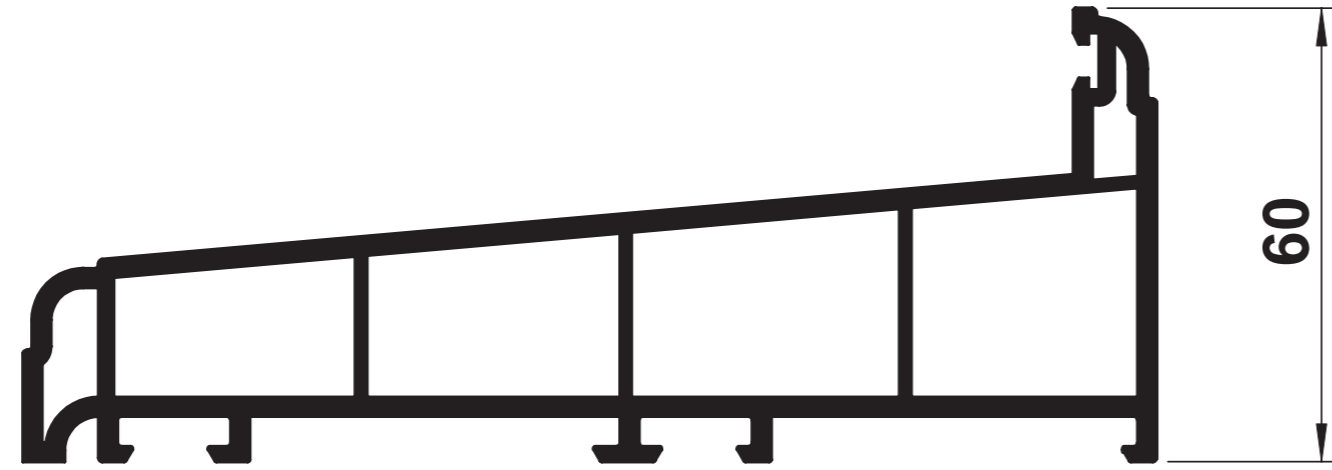
**VS03**  
SMALL SASH



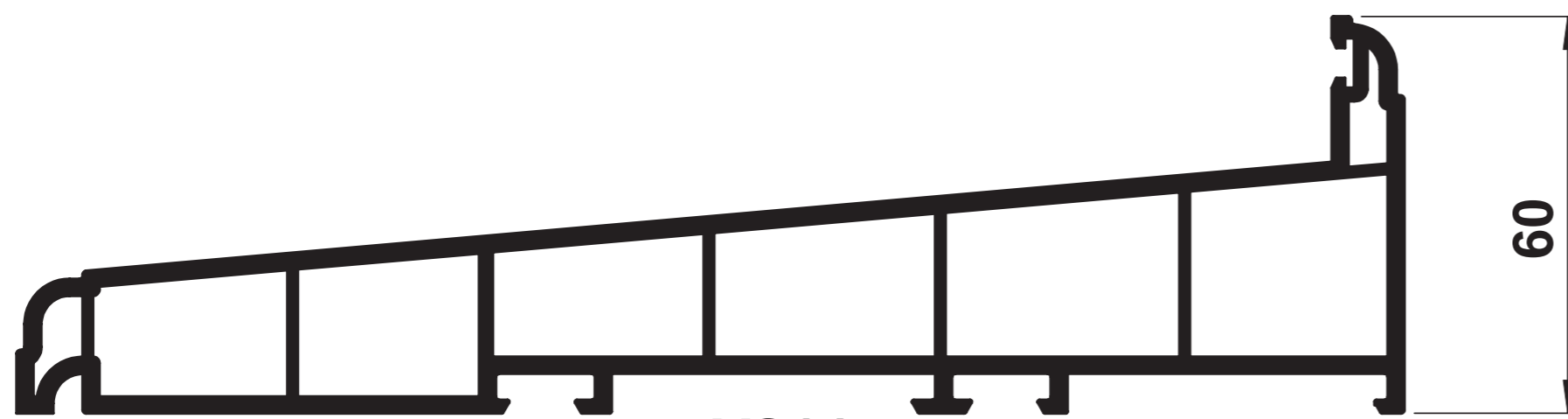
**VS04**  
STANDARD SASH



**VS05**  
DEEP BOTTOM RAIL



**VS02**  
150mm CILL



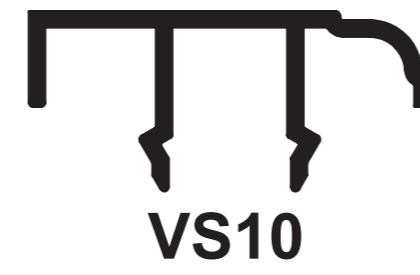
**VS14**  
210mm CILL



**VS09**  
INTERLOCK

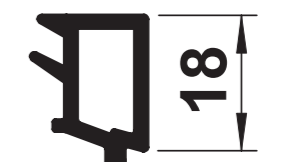


**VSR9**  
ALUMINIUM  
INTERLOCK



**VS10**  
SASH STOP

GLAZING BEADS



**VS06**  
SQUARE BEAD



**VS07**  
OVOLO BEAD

ANCILLARY PROFILES



**VS13**  
WOODGRAIN  
COVER TRIM



**VS15**  
WOOLPILE  
INFILL



**VS11**  
22mm  
GEORGIAN BAR



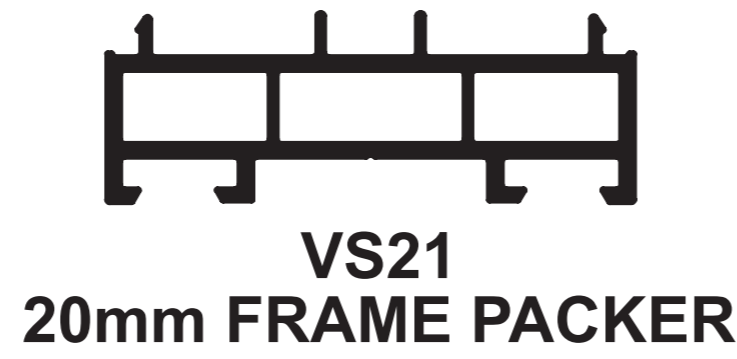
**VS12**  
30mm  
GEORGIAN BAR



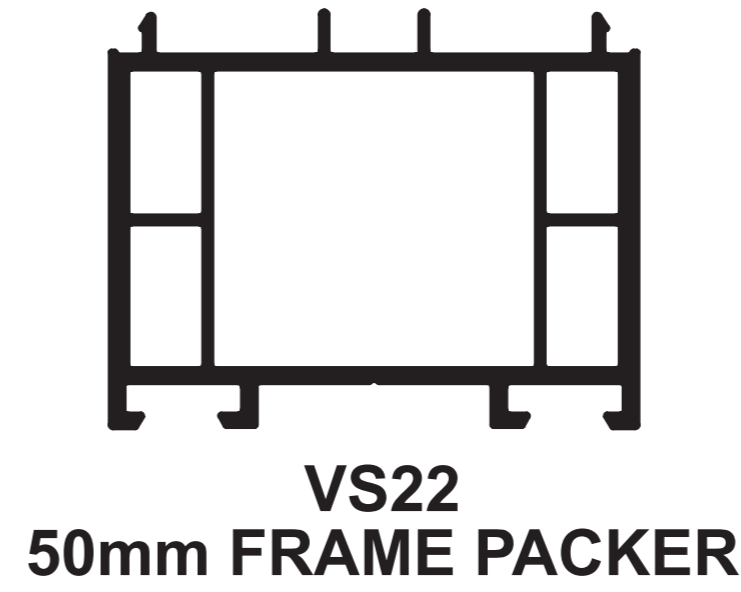
**VS08**  
WEATHER BAR



**VS23**  
10mm ODD LEG  
ADAPTOR



**VS21**  
20mm FRAME PACKER



**VS22**  
50mm FRAME PACKER

GASKETS & WEATHERSEALS



**133400**  
GLAZING SEAL



**133502**  
**137502**  
BOTTOM SEAL

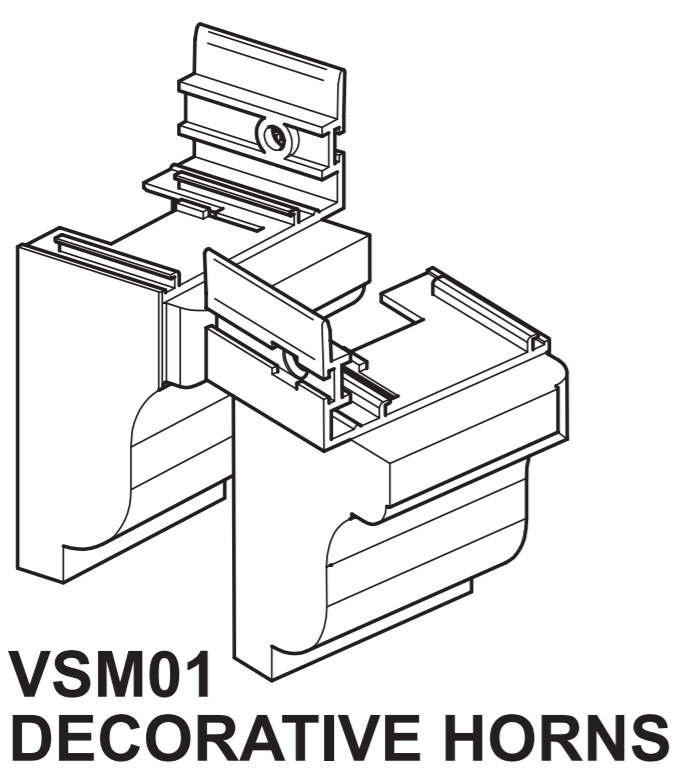


**700618**  
**700619**  
FRINGE SEAL

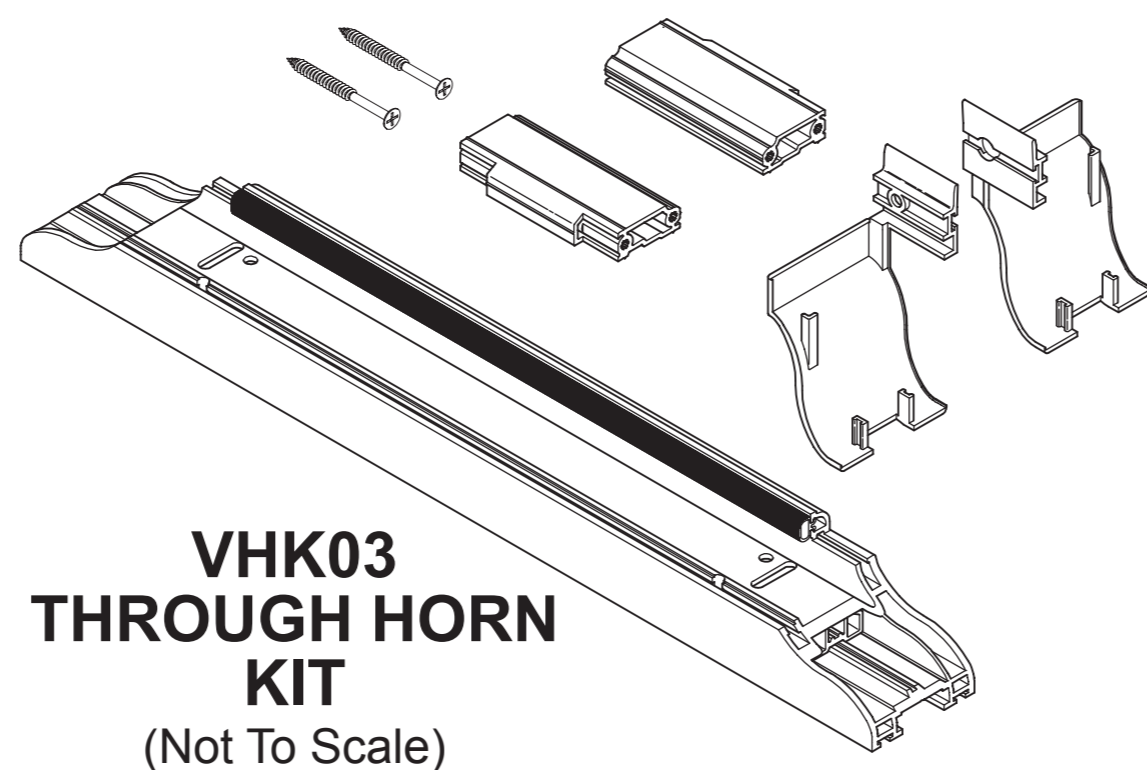


**700601**  
PILE SEAL

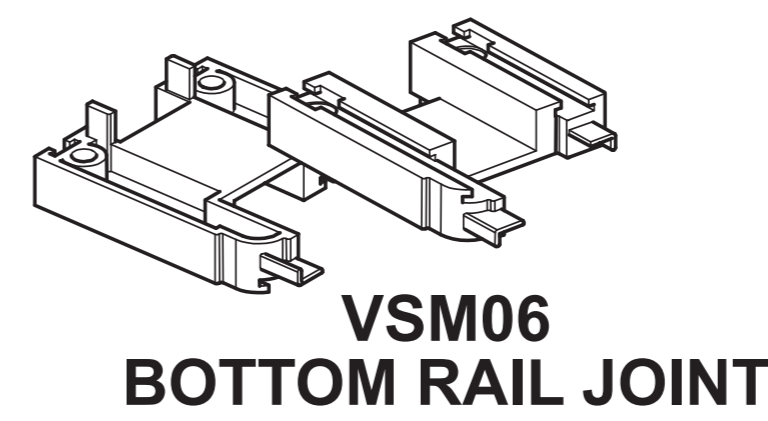
ANCILLARY COMPONENTS



**VSM01**  
DECORATIVE HORNS



**VHK03**  
THROUGH HORN  
KIT  
(Not To Scale)



**VSM06**  
BOTTOM RAIL JOINT



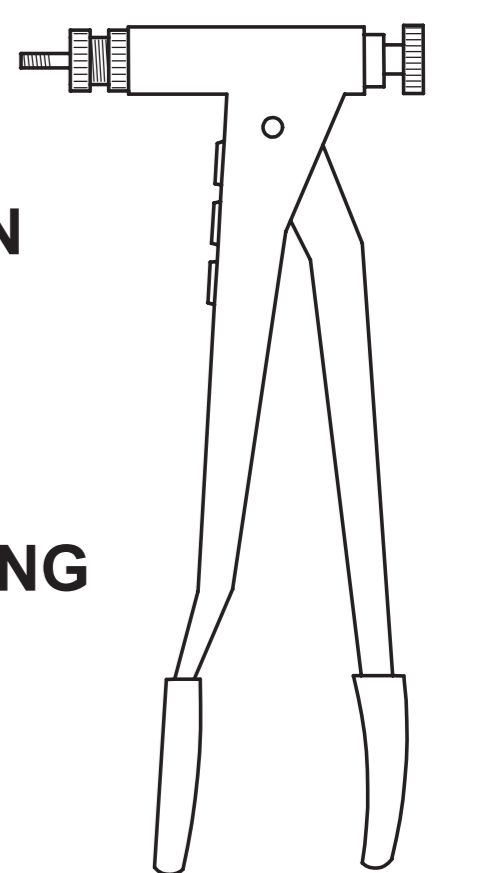
**900003**  
RIV NUT GUN  
INSERT



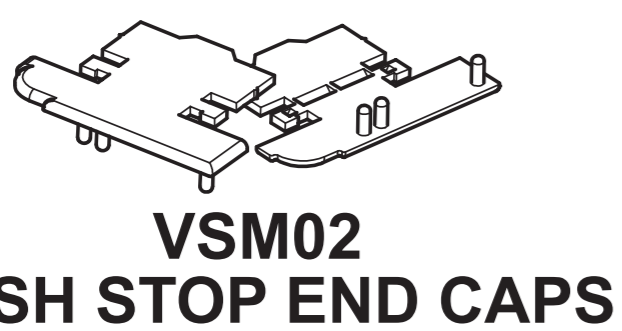
**900001**  
BALANCE FIXING



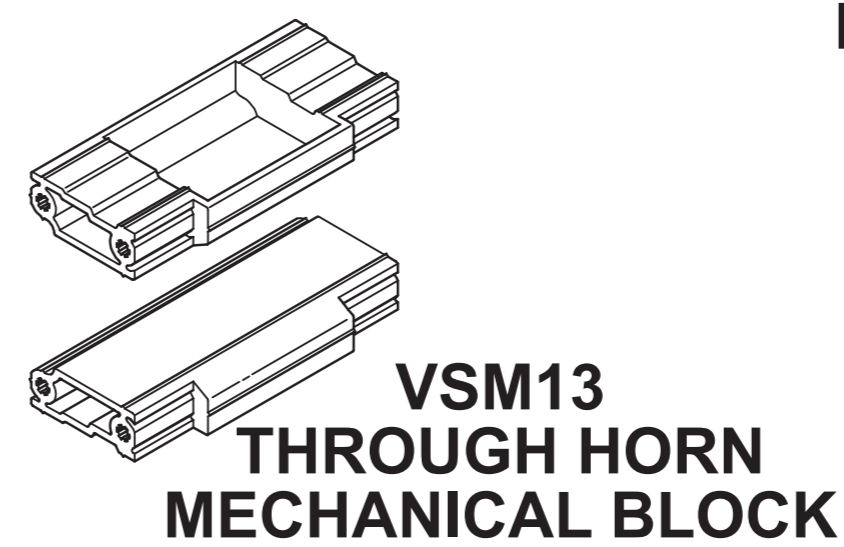
**BM15**  
FIXING  
STUD



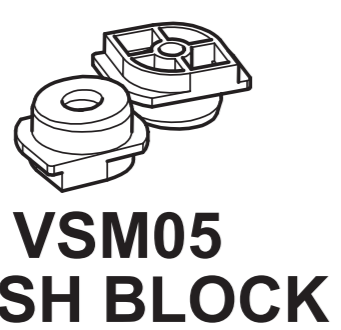
**900002**  
RIV NUT GUN



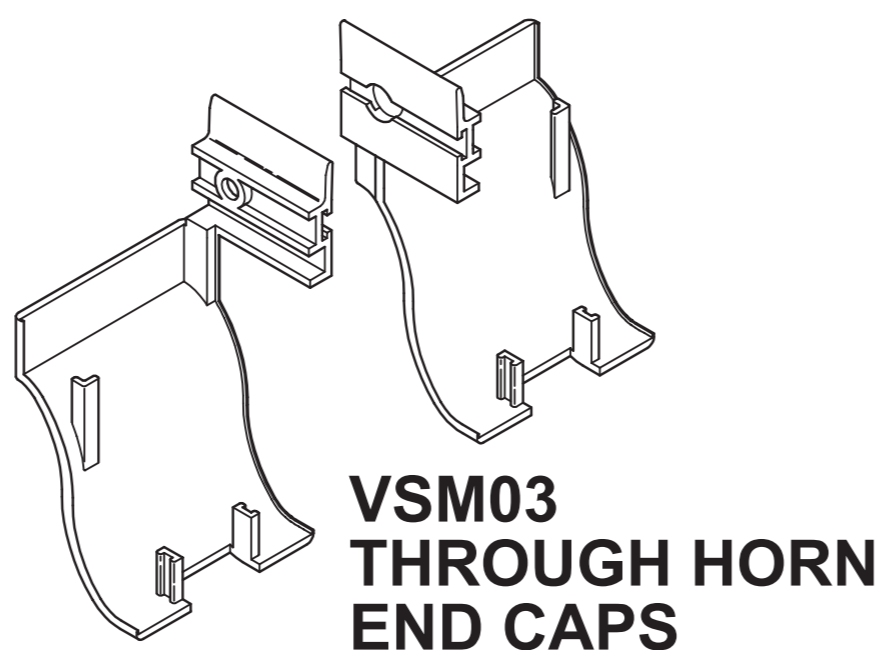
**VSM02**  
SASH STOP END CAPS



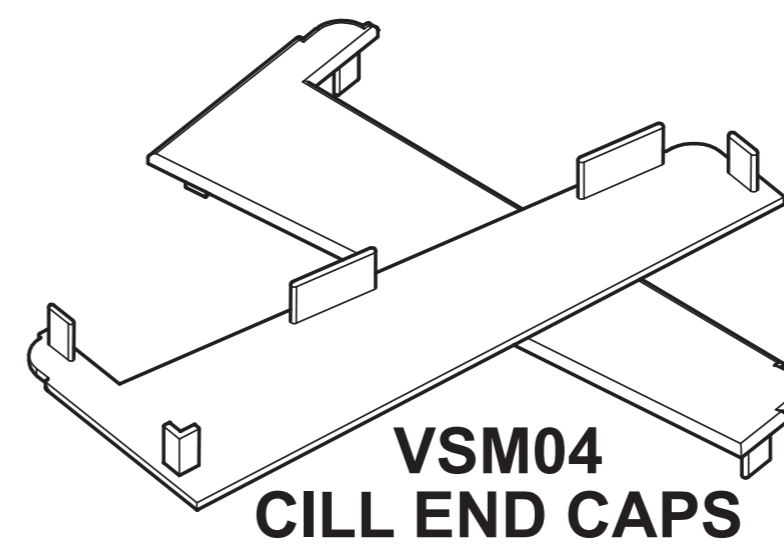
**VSM13**  
THROUGH HORN  
MECHANICAL BLOCK



**VSM05**  
SASH BLOCK



**VSM03**  
THROUGH HORN  
END CAPS



**VSM04**  
CILL END CAPS



**VSM14**  
CILL END CAPS