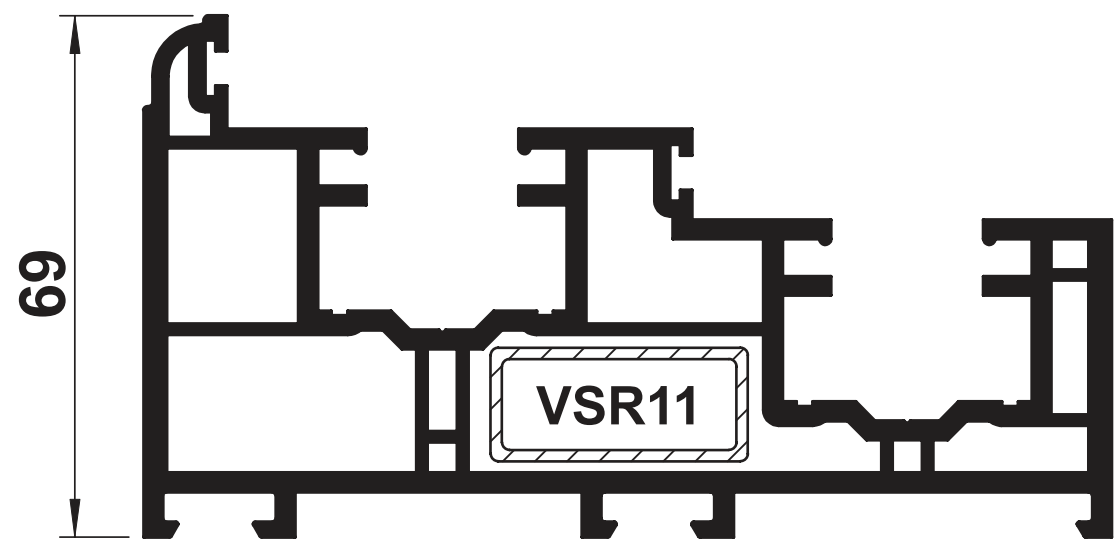
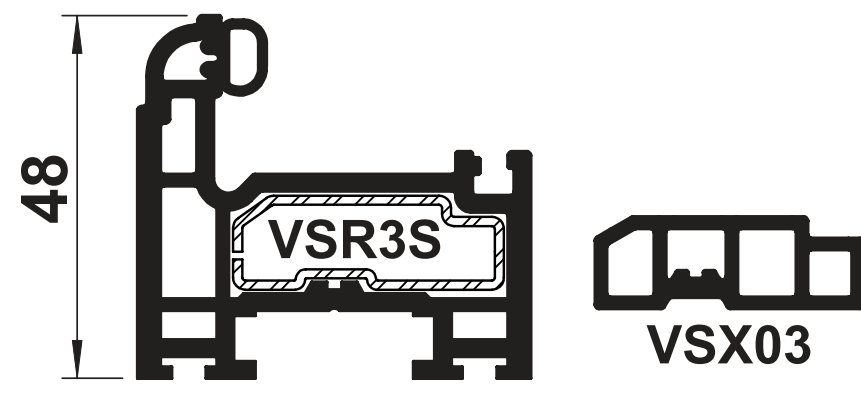


Vertical Slider

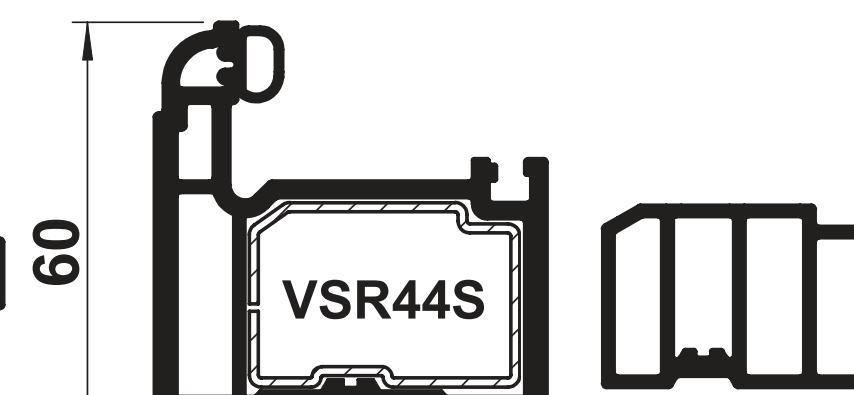
MAIN PROFILES & REINFORCEMENTS



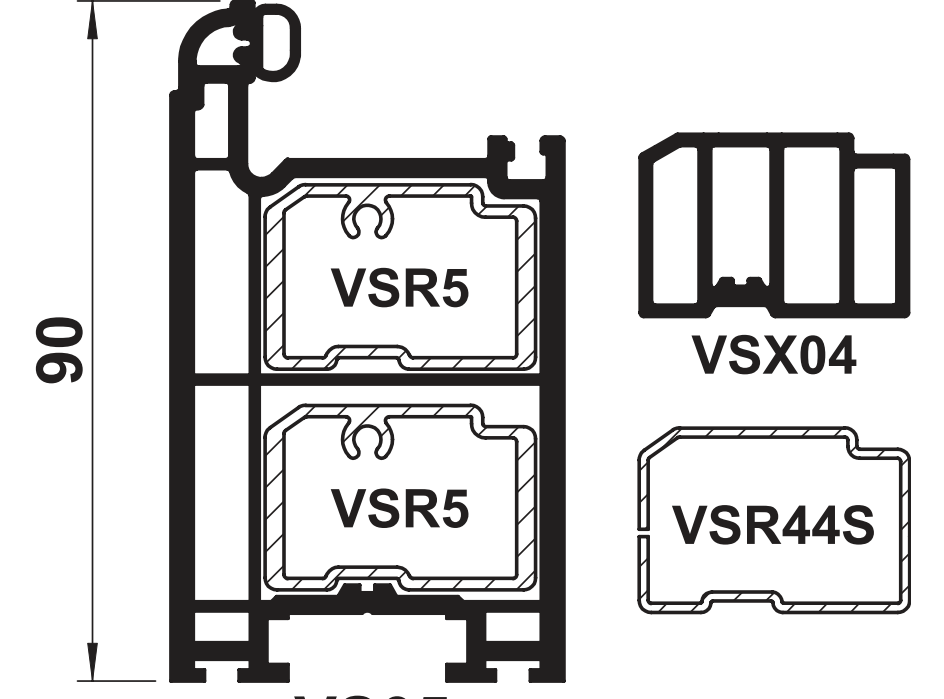
VS01
OUTER FRAME (128mm)



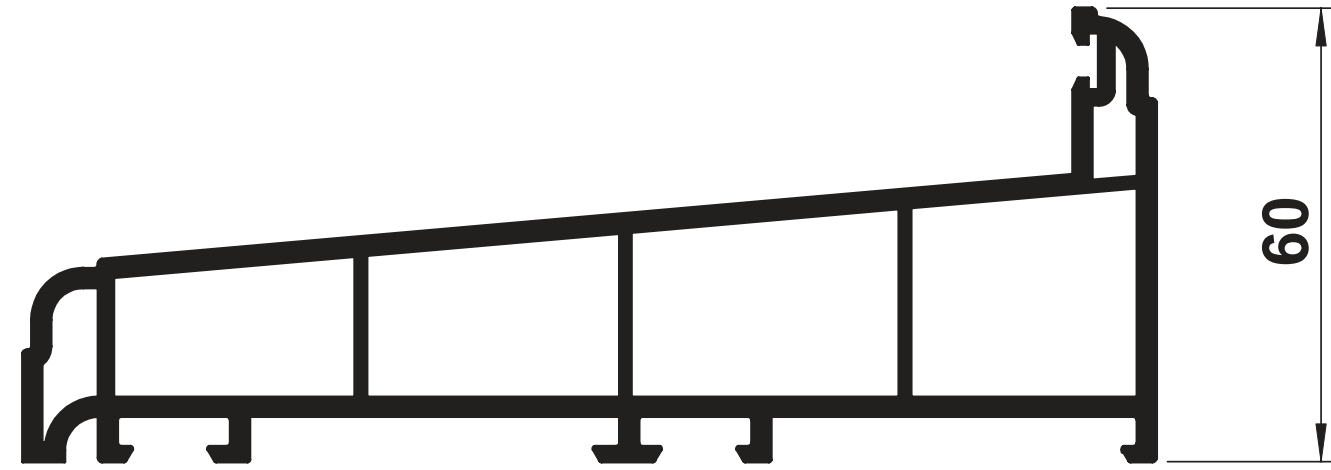
VS03
SMALL SASH



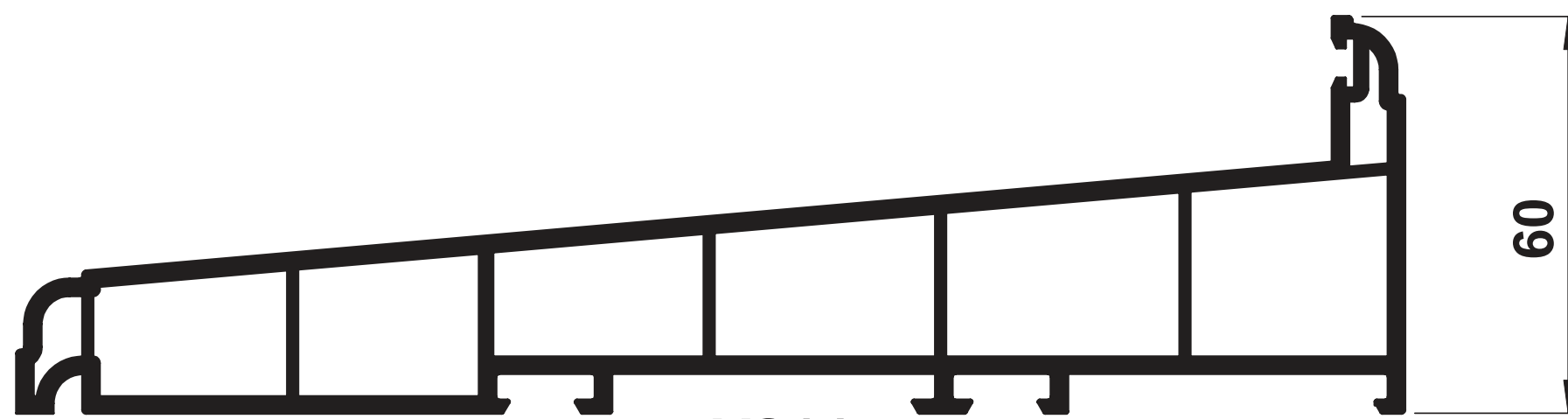
VS04
STANDARD SASH



VS05
DEEP BOTTOM RAIL



VS02
150mm CILL



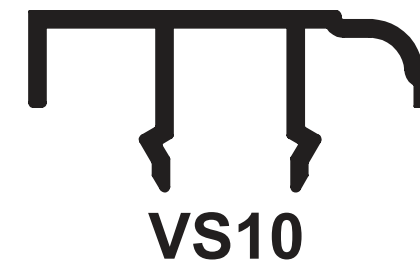
VS14
210mm CILL



VS09
INTERLOCK



VSR9
ALUMINIUM
INTERLOCK



VS10
SASH STOP

GLAZING BEADS



VS06
SQUARE BEAD



VS07
OVOLO BEAD

ANCILLARY PROFILES



VS13
WOODGRAIN
COVER TRIM



VS15
WOOLPILE
INFILL



VS11
22mm
GEORGIAN BAR



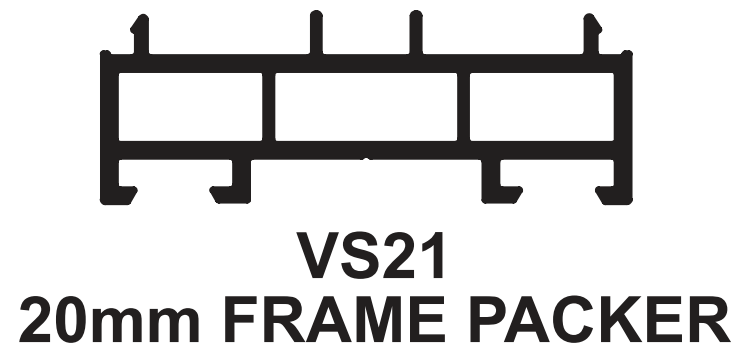
VS12
30mm
GEORGIAN BAR



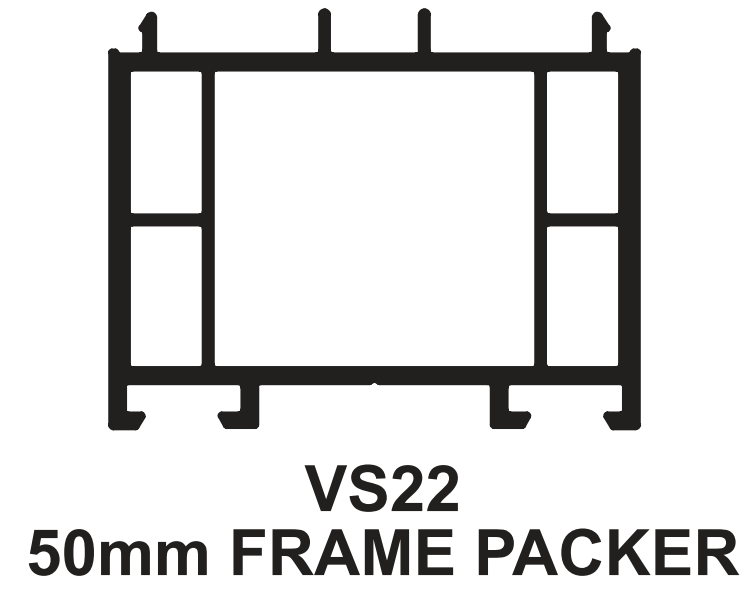
VS08
WEATHER BAR



VS23
10mm ODD LEG
ADAPTOR



VS21
20mm FRAME PACKER



VS22
50mm FRAME PACKER

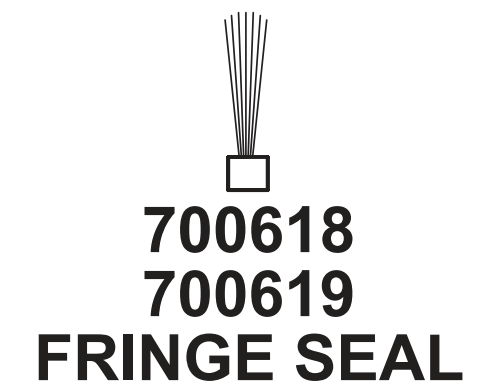
GASKETS & WEATHERSEALS



133400
GLAZING SEAL



133502
137502
BOTTOM SEAL

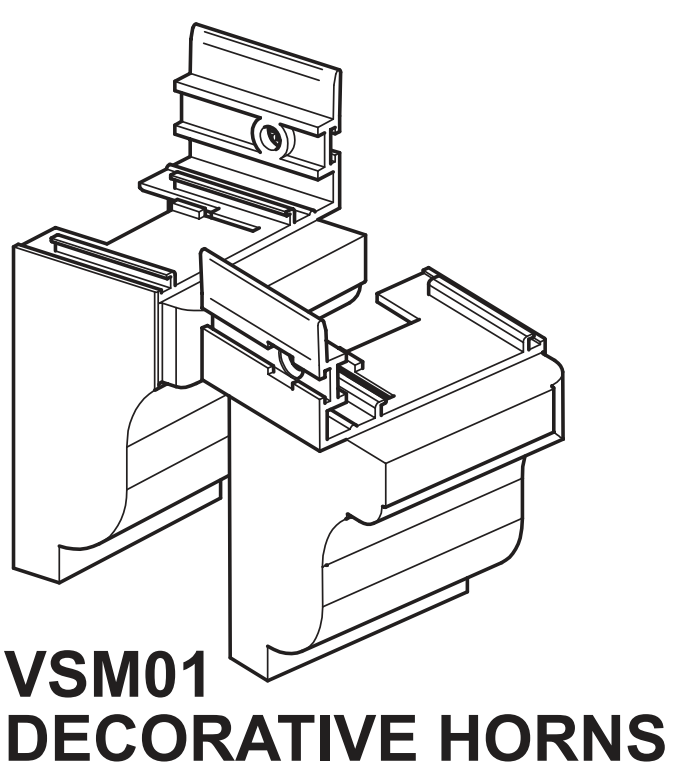


700618
700619
FRINGE SEAL

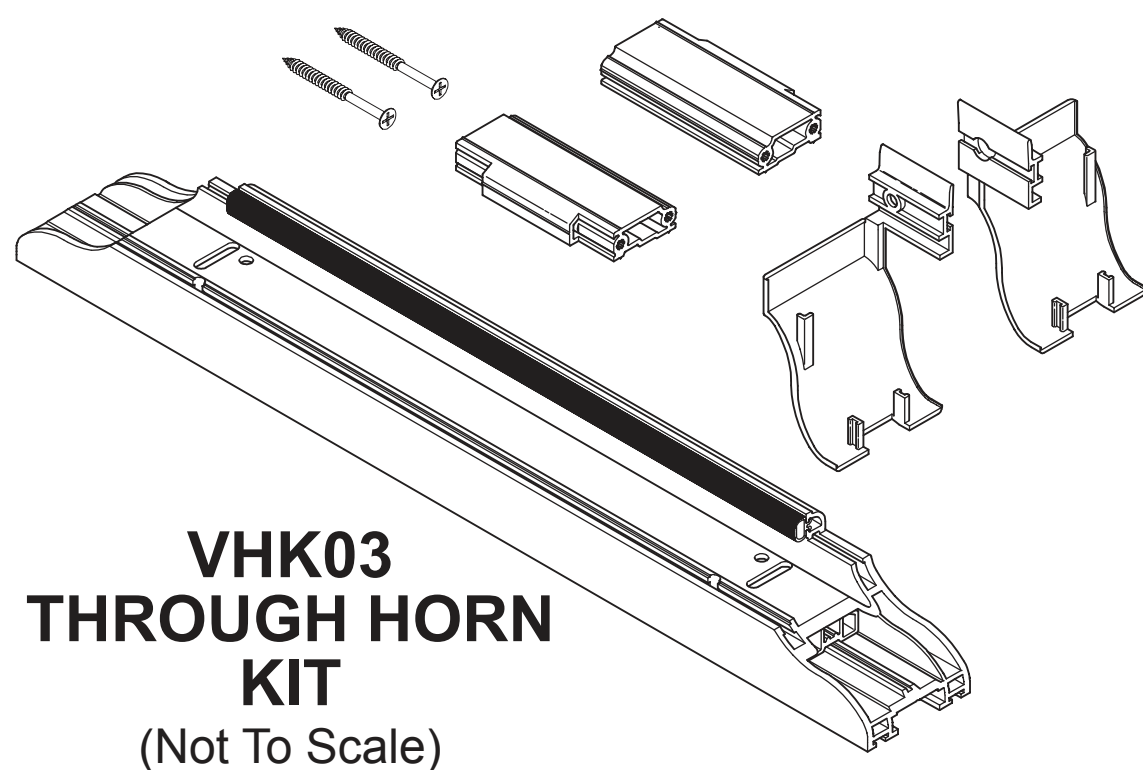


700601
PILE SEAL

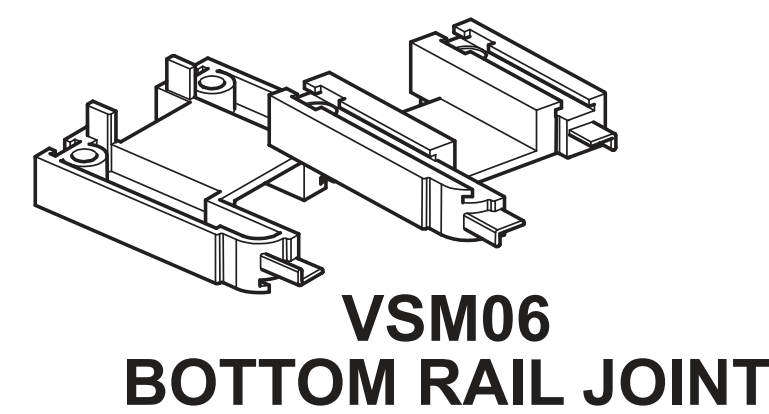
ANCILLARY COMPONENTS



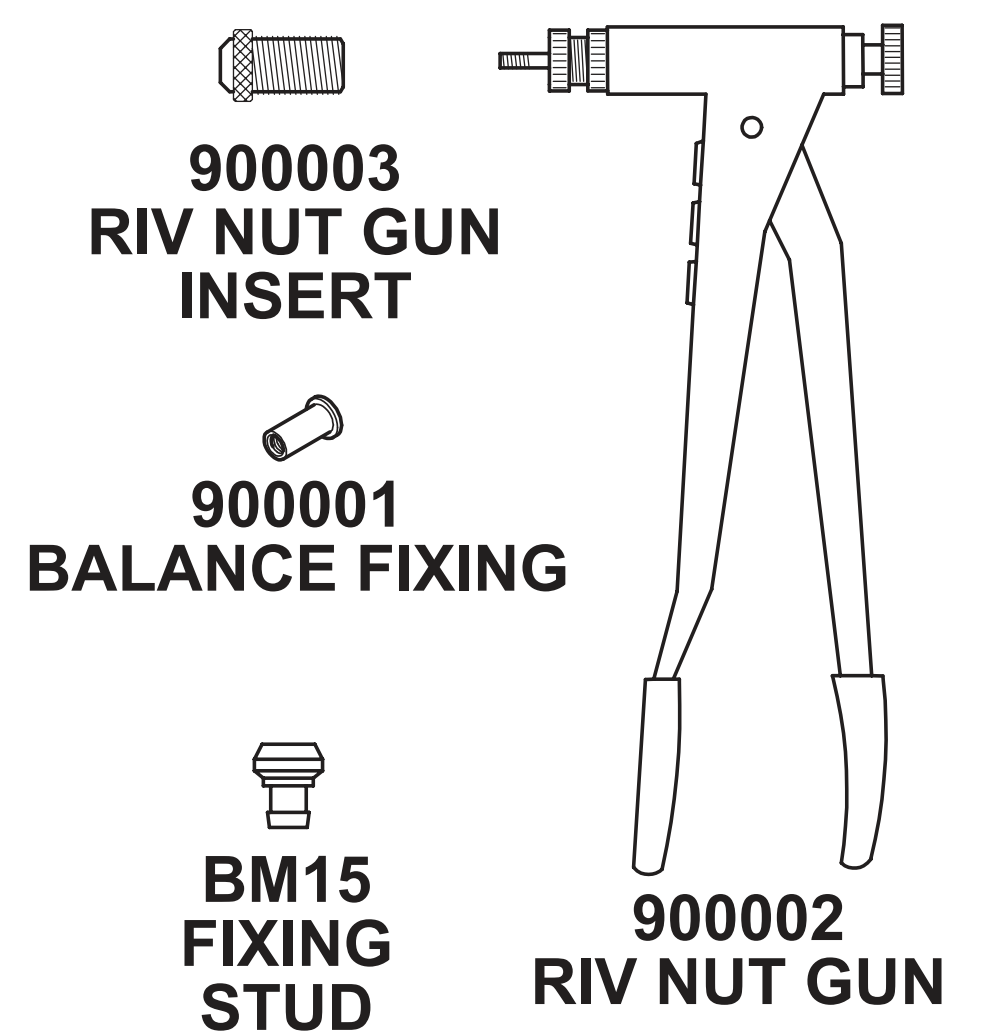
VSM01
DECORATIVE HORNS



VHK03
THROUGH HORN
KIT
(Not To Scale)



VSM06
BOTTOM RAIL JOINT



900003
RIV NUT GUN
INSERT

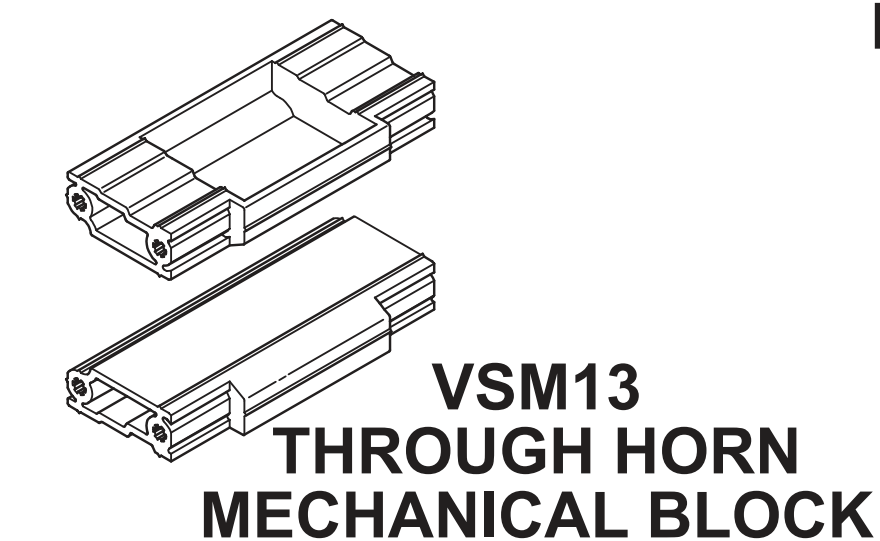
900001
BALANCE FIXING

BM15
FIXING
STUD

900002
RIV NUT GUN



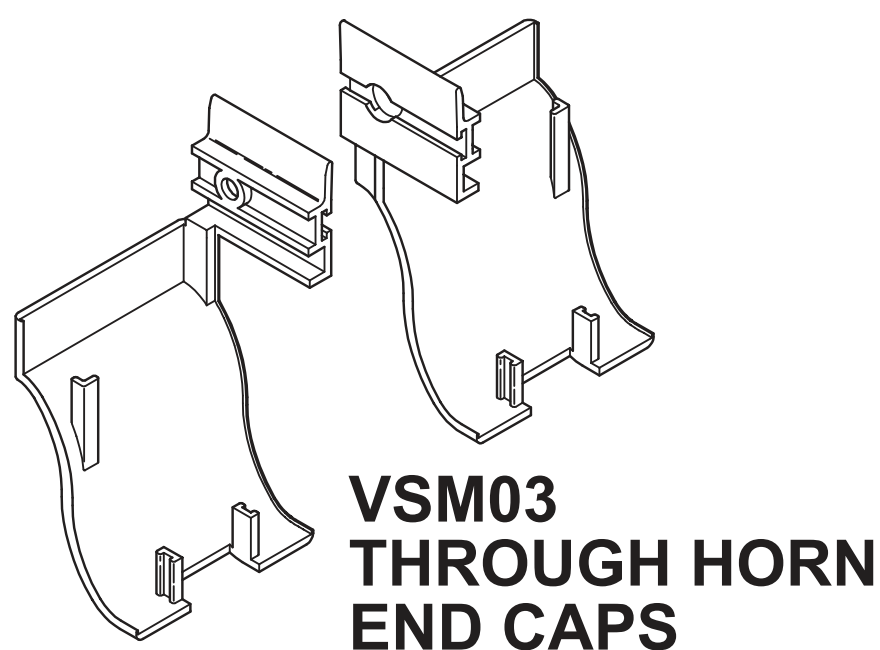
VSM02
SASH STOP END CAPS



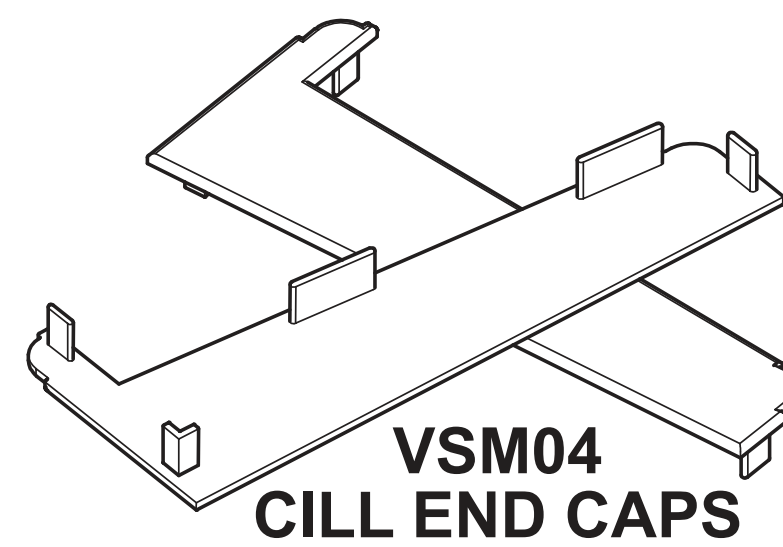
VSM13
THROUGH HORN
MECHANICAL BLOCK



VSM05
SASH BLOCK



VSM03
THROUGH HORN
END CAPS



VSM04
CILL END CAPS



VSM14
CILL END CAPS